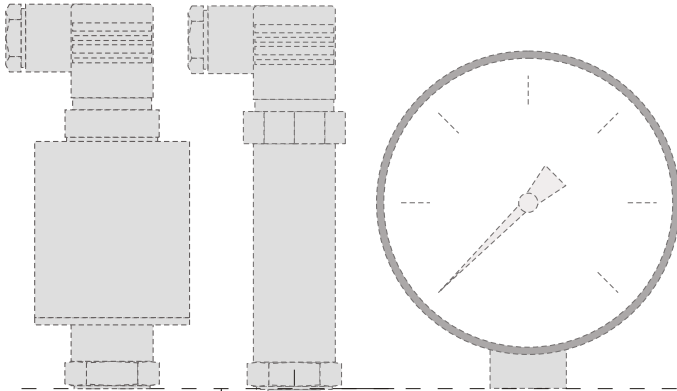
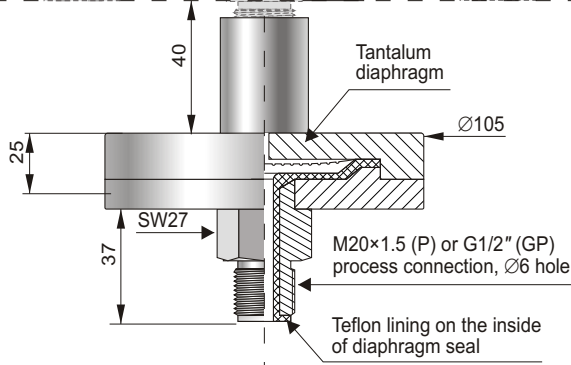


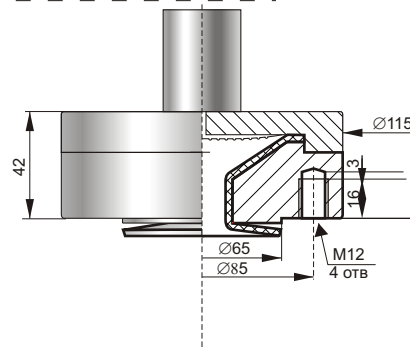
Threaded chemical seals with large diaphragm S-CompCh



- ✓ Measurement the pressure of hydrochloric, sulphuric and nitric acids in any concentration
- ✓ Measurement the pressure of chlorine



Version with M20x1,5 process connection



Version with process connection size DN25

Application

S-CompCh seals are applicable for measuring the pressure of corrosive media. The wetted parts of the diaphragm seal are made of Teflon and tantalum. Several corrosive chemicals, except for hydrofluoric acid, gaseous fluorine and soda lye, can be measured.

Recommended minimum measuring range (bar), depending on the type of the set: pressure measuring device - diaphragm seal

Diaphragm seal type	Transmitter	Gauge Ø100
direct	0.4	6
remote	1	6

Additional absolute zero error resulting from ambient temperature fluctuations, depending on the type of the set: pressure transmitter - diaphragm seal

direct diaphragm seal: 1 mbar / 10°C

remote diaphragm seal (2m capillary): 6 mbar / 10°C

An additional zero error, resulting from temperature fluctuations in a medium, depends on the temperature gradient in the oil-based diaphragm sealing system. The error value is, in any case, significantly smaller than the error value shown above.

Maximum measuring range 0...16 bar
Over pressure limit 25 bar
Medium temperature range -30...100°C

Ordering procedure

direct diaphragm seal: **pressure measuring device / S-CompCh**

remote diaphragm seal: **measuring device / S-CompChK / K = m**

Transmitter or gauge – see the code in the appropriate catalogue sheet

Type of process connection: P, GP, DN25

Capillary length

Example: APCE-2000PZ- pressure transmitter, nominal measuring range 0÷7 bar, threaded chemical seal with large diaphragm, GP process connection G1/2".

APCE-2000PZ / 0 ÷ 7 bar / S-CompCh GP